

AUTOMATIC SLIDING GATE MOTOR-ECO

MOSFi

Registered with MSME (Govt. of India)
Powered by Alaska Automation Pvt. Ltd.
An ISO 9001:2015 Company

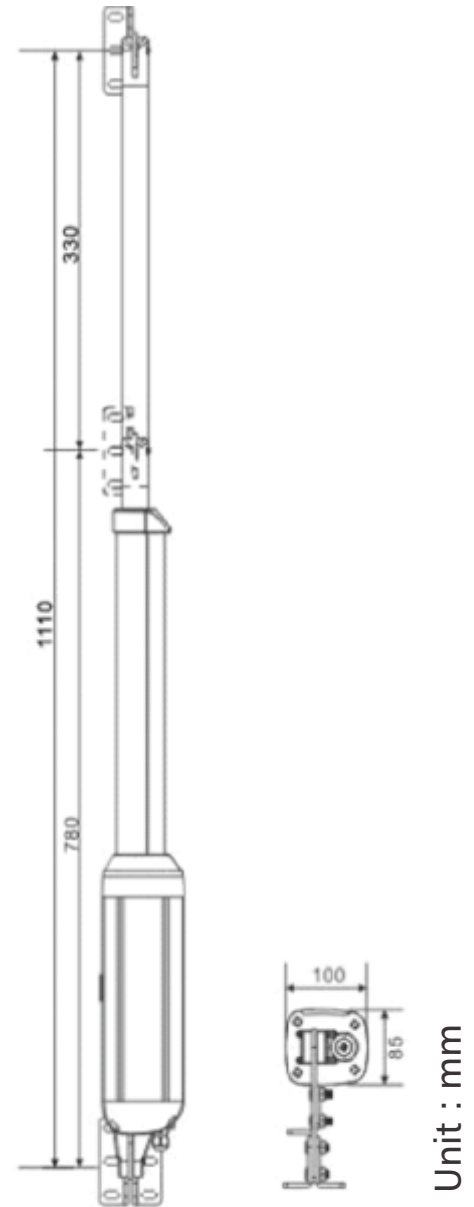


FEATURES :

- POWER AND DURABLE :** Designed for heavy-duty use, the gate opener comes with one 24V DC motor constructed with heavy-duty stainless steel.
- EASY TO INSTALL :** Easy to install and maintenance free system.
- SOLAR COMPATIBLE :** Environmentally friendly, run over also home inverter.
- SAFETY AND CONVENIENCE :** In case of power failure, there's an emergency key so the gates can be operated manually. With the remote control ,you can operate at up to a 30m range, so convenience.
- AUTO-REVERSE FUNCTION :** Auto stop if any obstacles detected during operation and reverse back to their previous position.
- OPERATION THROUGH :** Remote (Upto 30mtr. BIOMETRICS SMART CARD, RFID READERS, PUSH BUTTON.

Technical Specification

Supply voltage	: 24VDC
Power of motor	: 40W*2
Current	: 3.0A/2.5A*2
Rotational speed	: 3200RPM
Rod's running speed	: 1.6cm/s
Rod's max travel	: 330 or 385mm
Max single-leaf length	: 3m
Max single-leaf weight	: 300Kg
Mother Board	: Microprocessor based
Power supply	: 220VAC 50Hz/110V 60Hz,
Transformer	: 24V 150W
Accessories max loaded	: 24VDC 500mA,
Max load	: 2×80W/24VDC
Environment temperature	: -20°C-+55°C
Protection fuse	: 10A
Running time protection	: Adjustable
Auto closing delay time	: Adjustable Controlling single
Force	: Adjustable
Solar Power	: Supported
Environment temperature	: -20°C-+55°C
Protection class	: IP54



Installation Project

1. Gate Opener
2. Control box
3. Transmitter
4. Photocell (Optional)
5. Alarm lamp (Optional)

